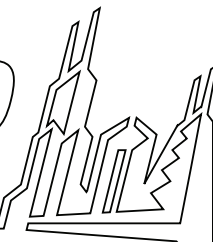
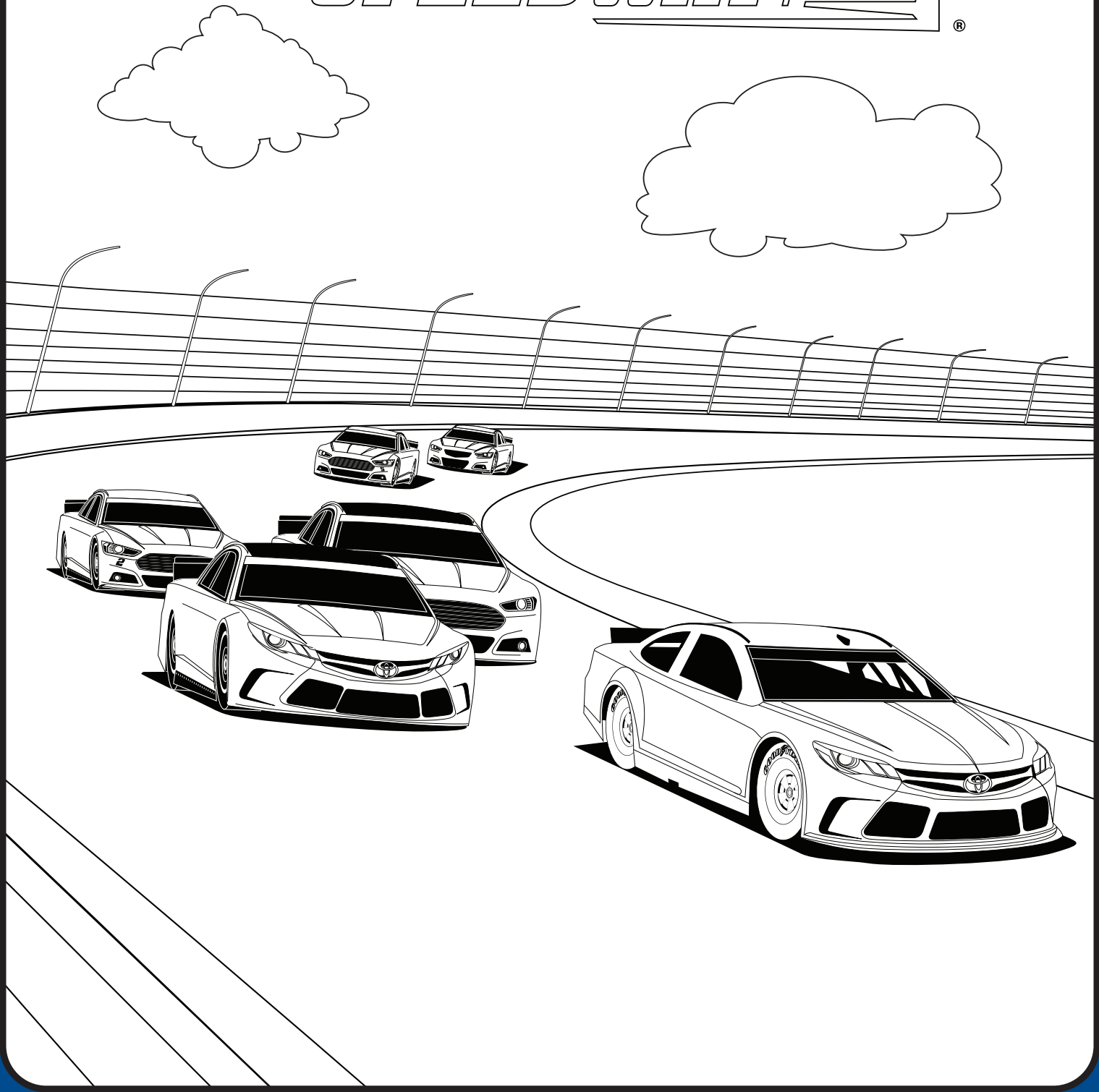


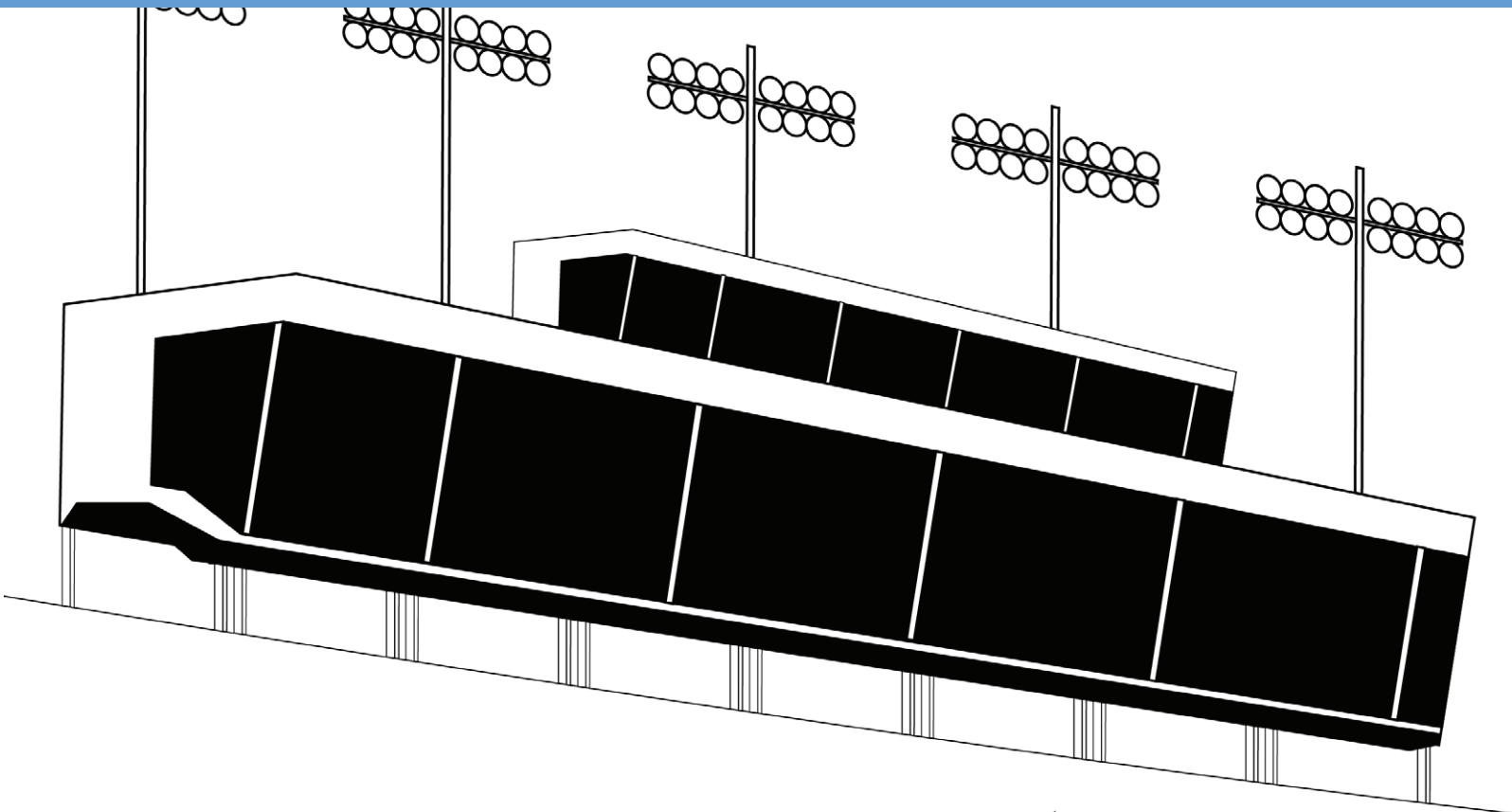
**CHICAGO LAND**  
**SPEEDWAY**  <sup>®</sup>



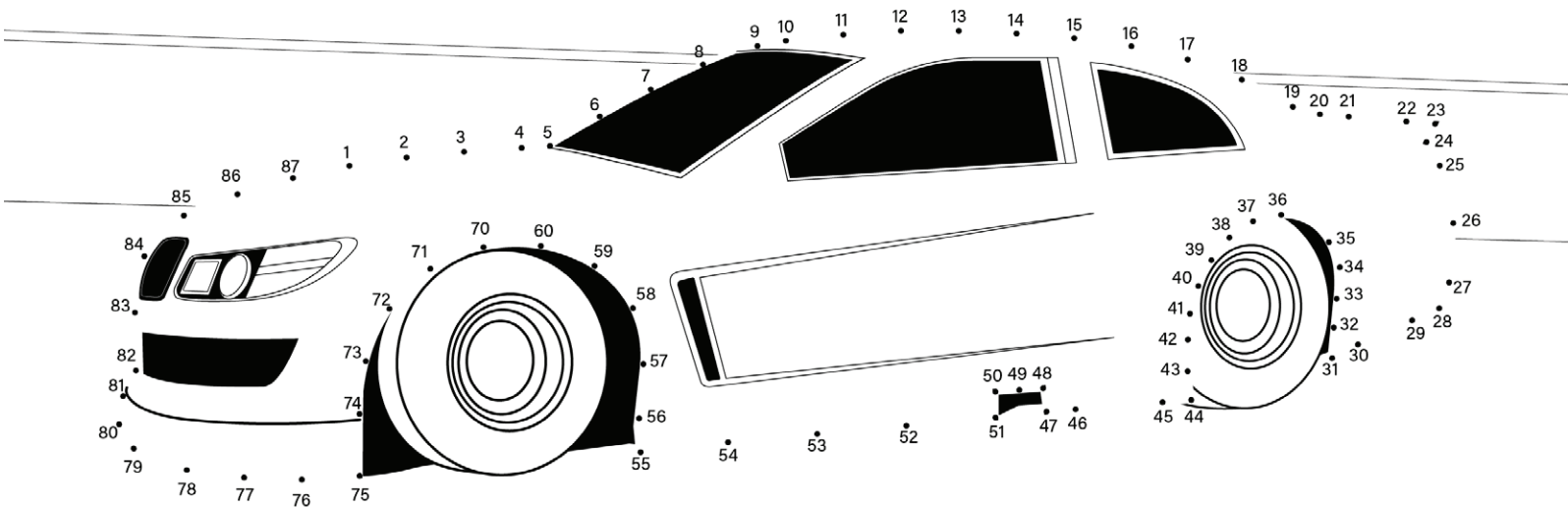
# CONNECT THE DOTS!



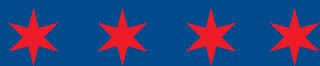
AND COMPLETE THE STOCK CAR



CHICAGOLAND  
SPEEDWAY 



# FILL IN THE BLANKS



1. The pit crew fills up the race car with \_\_\_\_\_ .
2. The driver always wears a \_\_\_\_\_ and \_\_\_\_\_ .
3. \_\_\_\_\_ is where the winning driver goes to celebrate.
4. The starter waves the \_\_\_\_\_ to signal the beginning of the race.
5. A Race team will go through about 9 to 14 sets of \_\_\_\_\_ in a race weekend.
6. The \_\_\_\_\_ cheer on their favorite driver.
7. Be sure to find \_\_\_\_\_ during the race weekend.

## WORD BANK

RACE FANS

FIRE SUIT

VICTORY LANE

GREEN FLAG

SUNOCO RACING FUEL

DASH

HELMET

GOODYEAR TIRES

1. The pit crew fills up the race car with **SUNOCO RACING FUEL**.
2. The driver always wears a **FIRE SUIT** and **HELMET**.
3. **VICTORY LANE** is where the winning driver goes to celebrate.
4. The starter waves the **GREEN FLAG** to signal the beginning of the race.
5. A Race team will go through about nine to 14 sets of **GOODYEAR TIRES** in a race weekend.
6. The **RACE FANS** cheer on their favorite driver.
7. Be sure to find **DASH** during the race weekend.

## ANSWERS

# KIDS CLUB